



ITEM NO:34148

ROLLER SEAT

ASSEMBLY AND OPERATING INSTRUCTIONS



Due to continuing improvements, actual product may differ slightly from the product described herein.

**TO PREVENT SERIOUS INJURY, READ AND UNDERSTAND
ALL WARNINGS AND INSTRUCTIONS BEFORE USE.**

Specifications

Overall Dimensions	14-5/8" H x 14-3/8" W x 14-7/8" L
Seat Dimensions	14" H x 7-5/8" W x 1-1/4" Thick
Tool Tray Dimensions	13-3/8" L x 11-3/4" W x 15/16" Deep
Casters (x4)	2", Swivel, Nylon Ball Bearing
Max. Weight Capacity	250 lb.*
Unit Weight	8.8 lb.

*Maximum capacity is based on a stationary, evenly distributed load.

Save This Manual

You will need the manual for the safety warnings and precautions, assembly instructions, operating and maintenance procedures, parts list and diagram. Keep your invoice with this manual. Write the invoice number on the inside of the front cover. Keep the manual and invoice in a safe and dry place for future reference.

Safety Warnings and Precautions

WARNING: When using product, basic safety precautions should always be followed to reduce the risk of personal injury and damage to equipment.

Read all instructions before using this product!

1. **Keep work area clean.** Cluttered areas invite injuries.
2. **Observe work area conditions.** Do not use machines or power tools in damp or wet locations. Don't expose to rain. Keep work area well lighted.
3. **Keep children away.** Children must never be allowed in the work area.
4. **Store idle equipment.** When not in use, this product must be stored in a dry location to inhibit rust.
5. **Use the right product for the job.** Do not attempt to force a small product or attachment to do the work of a larger industrial product. There are certain applications for which this product was designed. It will do the job better and more safely at the rate for which it was intended. Do not exceed weight capacity of 250 lb., as listed in the Specifications Chart above. Do not modify this product and do not use this product for a purpose for which it was not intended.
6. **Use eye and ear protection.** Always wear ANSI-approved impact safety goggles and dust mask or respirator when working around metal, wood, and chemical dusts and mists.
7. **Do not overreach.** Keep proper footing and balance at all times.

8. **Maintain product with care.** Keep product clean for better and safer performance.
9. **Stay alert.** Watch what you are doing, use common sense. Do not operate any product when you are tired.
10. **Check for damaged parts.** Before using any product, any part that appears damaged should be carefully checked to determine that it will operate properly and perform its intended function. Check for alignment and binding of moving parts; any broken parts or mounting fixtures; and any other condition that may affect proper operation. Any part that is damaged should be properly repaired or replaced by a qualified technician.
11. **Replacement parts and accessories.** When servicing, use only identical replacement parts. Use of any other parts will void the warranty.
12. **Do not operate product if under the influence of alcohol or drugs.** Read warning labels if taking prescription medicine to determine if your judgment or reflexes are impaired while taking drugs. If there is any doubt, do not operate the product.

Warning: The warnings, cautions, and instructions discussed in this instruction manual cannot cover all possible conditions and situations that may occur. It must be understood by the operator that common sense and caution are factors which cannot be built into this product, but must be supplied by the operator.

Unpacking

When unpacking, check to make sure all parts listed on Page 4 are included.

Assembly

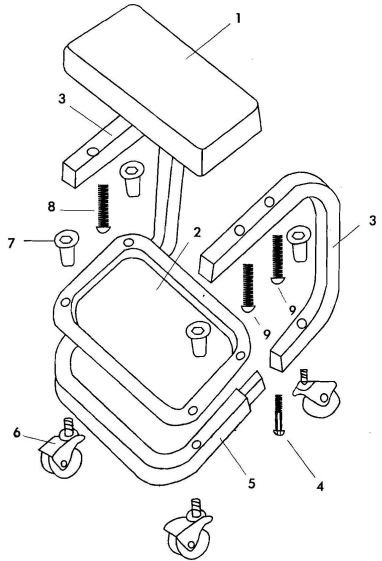
All parts listed and numbered refer to those in the Parts List and Assembly Diagram on Page 4.

1. Insert one side frame (#3) into bottom frame (#5) until they are connected tightly.
2. Insert bolt (#4) into bolt hole on bottom and side frame and tighten.
3. Repeat step 1 with the other side frame.
4. Repeat step 2 with the other bolt.
5. Locate plastic tray (#2) between bottom frame (#5) until bolt holes are aligned at bottom frame.
6. Insert wheels (#6) into holes of bottom frame (#5) and insert hex nuts (#7) into holes on frame and tray. Fasten nut. Repeat this procedure on all four wheels.
7. Locate seat pad (#1) on top of both side frames (#3).
8. Insert bolts (#8) into threaded nut holes of the pad and tighten.
9. Now go back and tighten all loose nuts and bolts.

Parts List

Part	Description	Q'ty
1	Seat Pad	1
2	Plastic Tray	1
3	Side Frame	2
4	Bolt	2
5	Bottom Frame	1
6	Wheel	4
7	Hex Nut	4
8	Bolt	4
Ref # 4, 8 & 7 available only as a bolt kit.		

Assembly Drawing



For replacement parts and technical questions, please call 1-800-222-5381.

NOTE: Some parts are listed and shown for illustration purposes only and are not available individually as replacement parts.

PLEASE READ THE FOLLOWING CAREFULLY

THE MANUFACTURER AND/OR DISTRIBUTOR HAS PROVIDED THE PARTS DIAGRAM IN THIS MANUAL AS A REFERENCE TOOL ONLY. NEITHER THE MANUFACTURER NOR DISTRIBUTOR MAKES ANY REPRESENTATION OR WARRANTY OF ANY KIND TO THE BUYER THAT HE OR SHE IS QUALIFIED TO MAKE ANY REPAIRS TO THE PRODUCT OR THAT HE OR SHE IS QUALIFIED TO REPLACE ANY PARTS OF THE PRODUCT. IN FACT, THE MANUFACTURER AND/OR DISTRIBUTOR EXPRESSLY STATES THAT ALL REPAIRS AND PARTS REPLACEMENTS SHOULD BE UNDERTAKEN BY CERTIFIED AND LICENSED TECHNICIANS AND NOT BY THE BUYER. THE BUYER ASSUMES ALL RISK AND LIABILITY ARISING OUT OF HIS OR HER REPAIRS TO THE ORIGINAL PRODUCT OR REPLACEMENT PARTS THERETO, OR ARISING OUT OF HIS OR HER INSTALLATION OF REPLACEMENT PARTS THERETO.

Limited 90 Day Warranty

Northern Tool + Equipment Co., Inc. makes every effort to assure that its products meet high quality and durability standards, and warrants to the original purchaser that this product is free from defects in materials and workmanship for the period of 90 days from the date of purchase. This warranty does not apply to damage due directly or indirectly, to misuse, abuse, negligence or accidents, repairs or alterations outside our facilities, criminal activity, improper installation, normal wear and tear, or to lack of maintenance. We shall in no event be liable for death, injuries to persons or property, or for incidental, contingent, special or consequential damages arising from the use of our product. Some states do not allow the exclusion or limitation of incidental or consequential damages, so the above limitation of exclusion may not apply to you. THIS WARRANTY IS EXPRESSLY IN LIEU OF ALL OTHER WARRANTIES, EXPRESS OR IMPLIED, INCLUDING THE WARRANTIES OF MERCHANTABILITY AND FITNESS.

To take advantage of this warranty, the product or part must be returned to us with transportation charges prepaid. Proof of purchase date and an explanation of the complaint must accompany the merchandise. If our inspection verifies the defect, we will either repair or replace the product at our election or we may elect to refund the purchase price if we cannot readily and quickly provide you with a replacement. We will return repaired products at our expense, but if we determine there is no defect, or that the defect resulted from causes not within the scope of our warranty, then you must bear the cost of returning the product.

This warranty gives you specific legal rights and you may also have other rights which vary from state to state.

Distributed by
Northern Tool + Equipment Co., Inc.
Burnsville, Minnesota 55306-6936
NorthernTool.com
Made in China